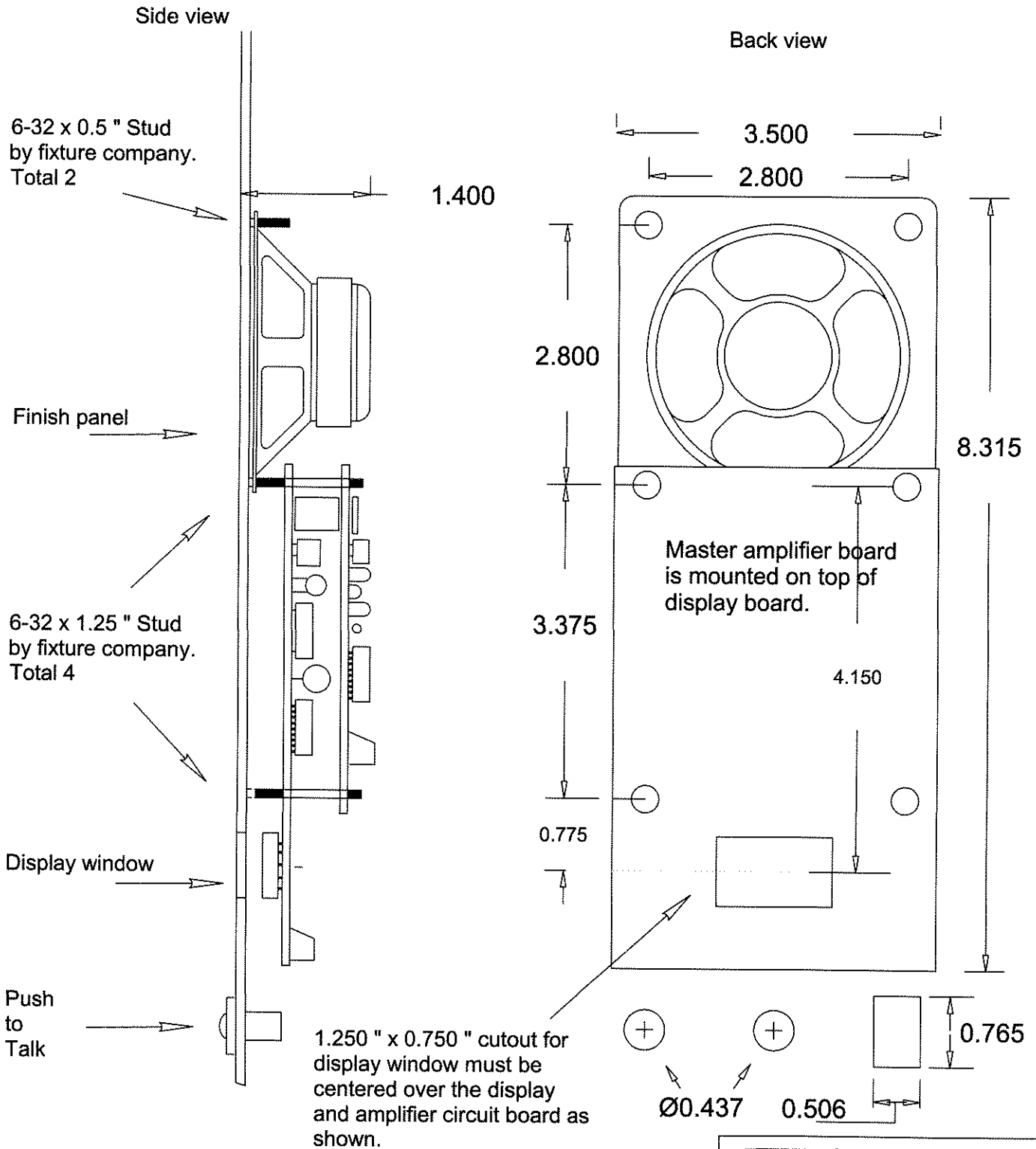


Everclear[®] Intercom

Mounting a multi-car master in a custom hall fixture - Typical

Typical mounting configuration requires 3.7" wide x 9.5" high x 1.4" deep.

Contact J. Fillips for any changes prior to using.



Round holes for Push to Talk and Push to Select elevator are 0.437". Rectangular hole for on/off switch is 0.506" wide x 0.765" high.

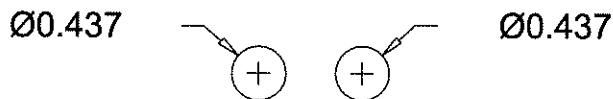
Everclear[®] Intercom	
Multi-car master mounting	
page 1 of 3	12/01/09

Everclear® Intercom

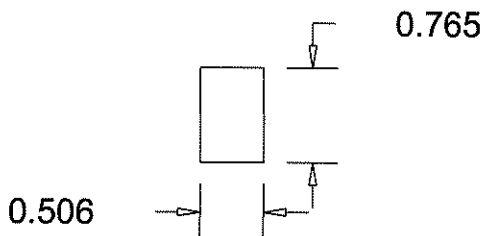
Mounting a multi-car master in a custom hall fixture - Alternate
 Contact J. Fillips for any changes prior to using.

In a standard master station cover plate, the bottom 2 holes of the speaker fit on the same studs as the top 2 holes of the amplifier board. They may be mounted that way or on separate studs as shown.

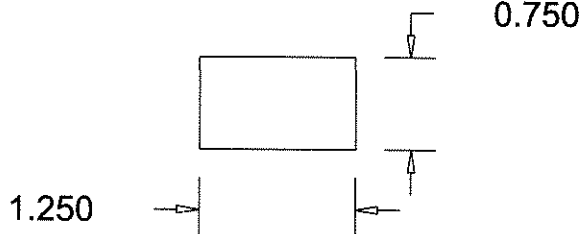
Round holes for the push to talk and push to select elevator buttons may be any place on the hall station except over the speaker or circuit boards.



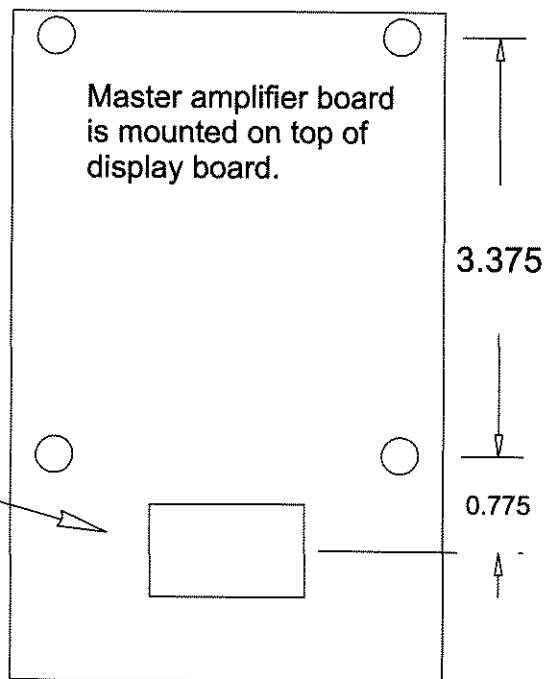
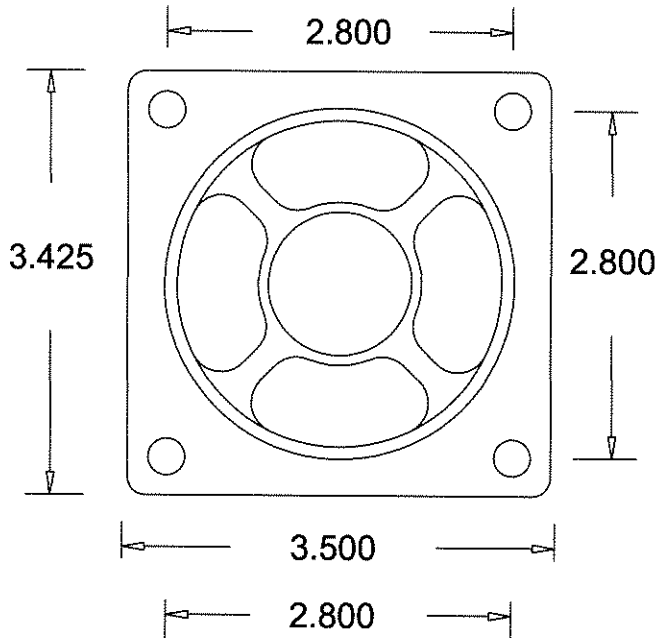
The rectangular hole for the on/off switch may be any place on the hall station except over the speaker or circuit board.



1.25 " X .750 " cutout for display window must be centered over the display and amplifier circuit boards as shown.



View from back side



Display window, on / off switch, push to talk button and push to select button are all supplied by JFillips LLC.

Everclear® Intercom Custom fixture mounting

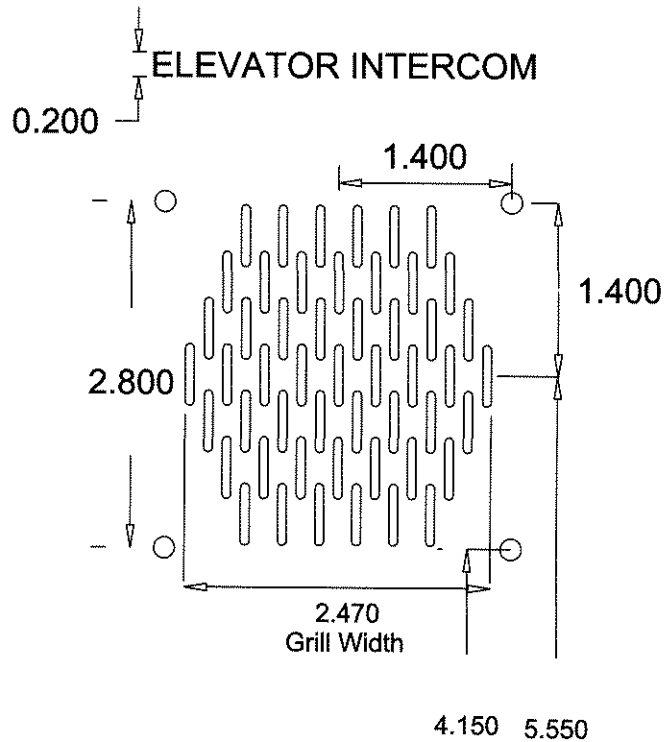
GRILL PATTERN FOR SPEAKER
You may use a grill pattern of your choice or the one shown here.
Speaker has a 3" cone.

ENGRAVING REQUIREMENTS
Engrave adjacent to holes per drawing.
Use a type face and size dictated by elevator company's architect or consultant, and applicable code.
Factory installations use Arial or Helvetica bold, all caps, in sizes below:

- 0.200" high for ELEVATOR INTERCOM
- 0.150" high for PUSH TO TALK
- 0.150 high for PUSH TO SELECT ELEVATOR

NOTE: We provide a round Push to Talk button, a round Push to Select Elevator button, and a rectangular On/Off Switch. The On/Off switch does not require engraving.

We will also provide a display window if none is provided by the fixture company.



WIRING

