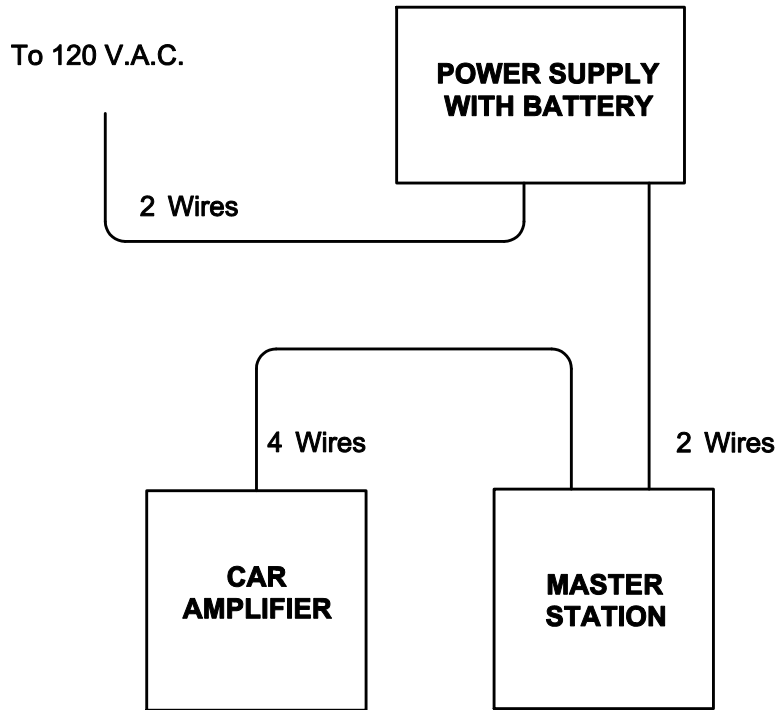


Everclear® Intercom 1 Car 1 Master



The car amplifier must be mounted in the car

Mount the power supply and battery in the controller.

Do not connect the 120 V.A.C. to anything except the power supply.

BOTH battery leads must be connected to the battery to condition the 12 volt DC power and keep the battery charged. The intercom will not work properly if both leads are not connected.

A 3/8 " field drilled hole on the car panel is required for mounting the intercom in-use light.

18 wire is recommended. If twisted shielded pairs are used, DO NOT ground the shield in more than one place.

Power requirement: 120 VAC.
Current: Less than 0.125 Amp. continuous.

FUSE INFORMATION		
FUSE	RATING	CIRCUIT
F1	GMC125 m.a. slow	120 V.A.C. input
F2	GMA2 amp	Battery in/output
F3	GMA1 amp	Power supply output

Everclear® Intercom

JFilips LLC 425 277 1011

1 Car 1 Master

Block Dwg.

Page 1 of 3

12/27/13

Everclear® Intercom 1 Car 1 Master

The car amplifier board and speaker must be mounted in the car.

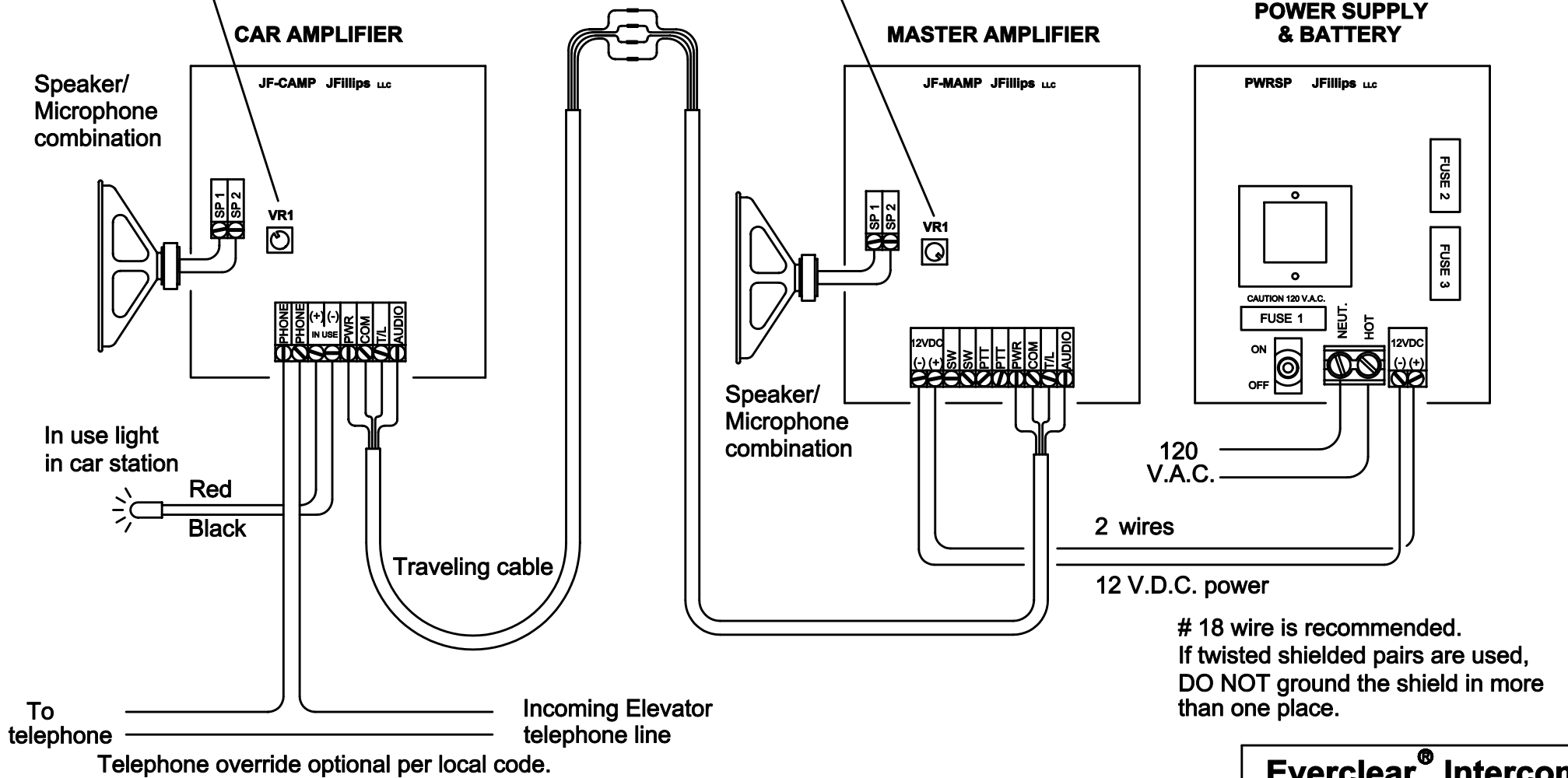
Volume is adjusted at the point of origin. Preset volume heard at the master station can be adjusted at pot VR1 on the car amplifier board.

Do not connect the 12 V.D.C. from the power supply to the master amplifier board until all other wiring is completed.

Preset volume heard in the car can be adjusted at pot VR1 on the master station amplifier board.

Mount the power supply and battery in the controller.

Do not connect the 120 V.A.C. to anything except the power supply.



18 wire is recommended. If twisted shielded pairs are used, DO NOT ground the shield in more than one place.

Everclear® Intercom
JFilips LLC 425 277 1011

1 Car 1 Master

Wiring Dwg.

Page 2 of 3

12/27/13

Everclear® Intercom 1 Car 1 Master

Point to point wiring chart
Connect wires between the terminals listed below

120 V.A.C.	Power Supply Terminal Name	Master Station Terminal Name	Car amp Terminal Name
HOT	HOT		
NEUT.	NEUT.		
	12 (+)	12 (+)	
	12 (-)	12 (-)	
		PWR	PWR
		COM	COM
		T/L	T/L
		AUDIO	AUDIO

Don't forget to connect both the red and black wires on the power supply to the battery after all other wiring is complete.

Do not connect the 120 V.A.C. power to anything except the power supply hot and neutral terminals.

Record field cable and wire number or color below.

Power supply to master station wiring
12 (+)
12 (-)
Car Amplifier to master station wiring
PWR
COM
T/L
AUDIO

Everclear® Intercom

JFilips LLC 425 277 1011

1 Car 1 Master

Wiring Chart

Page 3 of 3

12/27/13